



**CATALOGUE PRODUCTS**

# **FIWA**

*mechanical filtration, iron and manganese removal*

**FIWA SD**

**FIWA SDHA**

**FIWA AC**

**FIWA IR**

**FIWA MN**

ver. 002-02/03/2005 ANG



# FIWA

**THROUGH-FLOW PRESSURE FILTER WITH LOOSE GRANULATING PACKING TO REMOVE UNDESIRABLE MATTERS FROM WATER.**

## Charakteristic

- filters are made of plastics
- various granulating packings
- water washable packings
- manual or automatic washing of filters
- high performance, small size
- low attendance demands
- none or very low power consumption
- very simple attendance
- determined for supply as well as drinking water

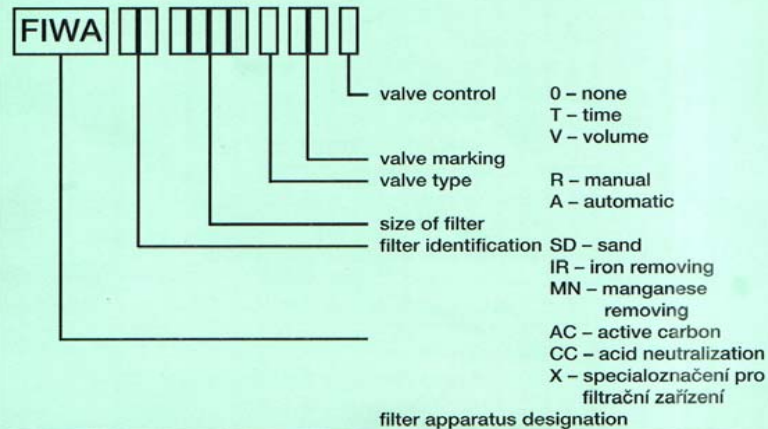
## Aplication

- family houses and similar properties
- schools, dining-rooms, accomodation establishments
- hotels, restaurants, recreation establishments
- health centres
- settlements, villages, small towns
- breweries, distilleries
- paper industry
- textile industry
- paint shops, galvanizing plants
- bakeries, dairies
- boiler houses, steam generators
- cold-meat producing plants

## Utilization

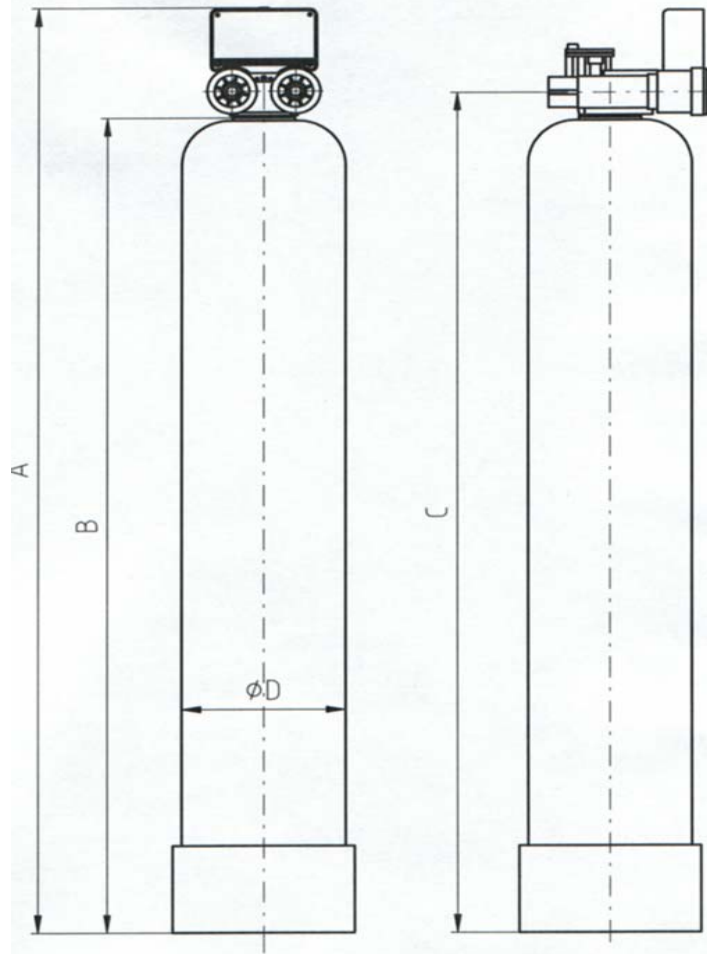
- mechanical filtration
- iron and manganese removal
- dechlorination
- absorption cleaning
- odour removal
- acid neutralizing in water
- water demineralization

## Equipment typification



# FIWA SD

## Sand filter



### FIWA SD XXXX/A/S132/T

XXXX	A	B	C	D	Q max
(size of filter)	[mm]	[mm]	[mm]	[mm]	[l/h]
0844	1320	1125	1170	210	500
1054	1575	1385	1430	257	800
1252	1530	1340	1385	304	1000
1354	1560	1370	1415	334	1000

### FIWA SD XXXX/A/S230/T

XXXX	A	B	C	D	Q max
(size of filter)	[mm]	[mm]	[mm]	[mm]	[l/h]
1354	1595	1370	1455	334	1200
1465	1875	1650	1735	369	1400
1665	1885	1660	1745	406	1900

... according the filter size

#### Component

▪ Column	1 pc.
▪ Sand	according the filter size
▪ Valve - SIATA 132 - SIATA 230	1 pc.
▪ control section XP0	1 pc.

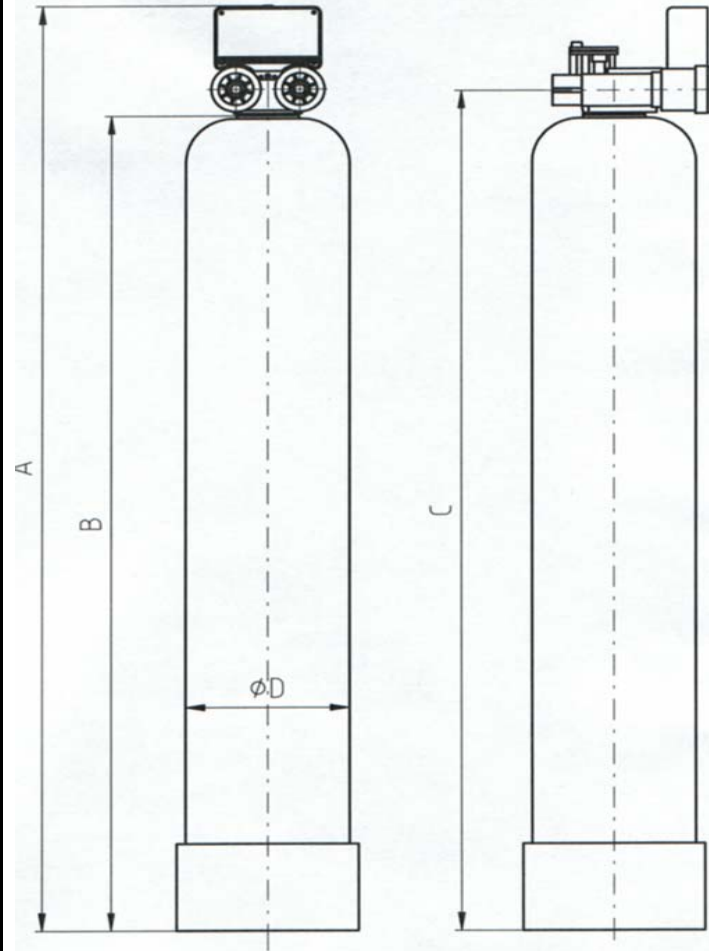
#### Technical parameters

▪ inlet water minimum pressure	0,25 MPa
▪ inlet water maximum pressure	0,6 MPa
▪ inlet water maximum temperature	45°C
▪ el. connection	220V/50Hz/10W (maybe others)



# FIWA SDHA

## Sand filter + hydroantrazit



### FIWA SDHA XXXX/A/S132/T

XXXX	A	B	C	D	Q max
(size of filter)	[mm]	[mm]	[mm]	[mm]	[l/h]
0844	1320	1125	1170	210	500
1054	1575	1385	1430	257	800
1252	1530	1340	1385	304	1000
1354	1560	1370	1415	334	1000

### FIWA SDHA XXXX/A/S230/T

XXXX	A	B	C	D	Q max
(size of filter)	[mm]	[mm]	[mm]	[mm]	[l/h]
1354	1595	1370	1455	334	1200
1465	1875	1650	1735	369	1400
1665	1885	1660	1745	406	1900

... according the filter size

### Component

▪ Column	1 pc.
▪ Sand	according the filter size
▪ Hydroantrazit	
▪ Valve - SIATA 132	1 pc.
▪ Valve - SIATA 230	1 pc.
▪ control section XP0	1 pc.

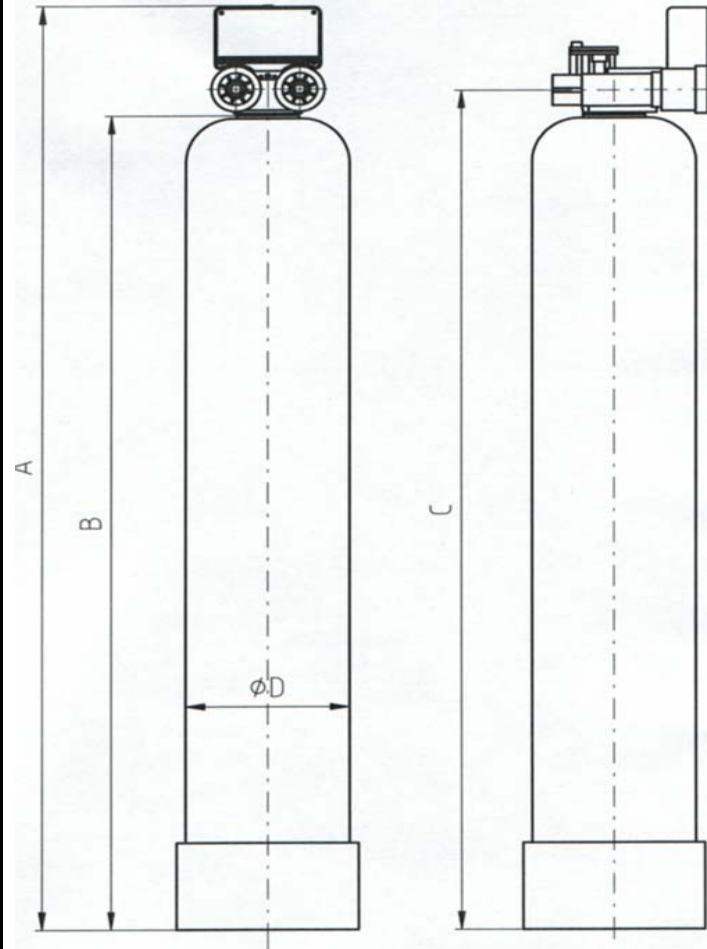
### Technical parameters

▪ inlet water minimum pressure	0,25 MPa
▪ inlet water maximum pressure	0,6 MPa
▪ inlet water maximum temperature	45°C
▪ el. connection	220V/50Hz/10W (maybe others)



# FIWA AC

## Active carbon



### FIWA AC XXXX/A/S132/T

XXXX	A	B	C	D	Q max
(size of filter)	[mm]	[mm]	[mm]	[mm]	[l/h]
0844	1320	1125	1170	210	600
1054	1575	1385	1430	257	1000
1252	1530	1340	1385	304	1400
1354	1595	1370	1455	334	1600
1465	1875	1650	1735	369	1600

### FIWA AC XXXX/A/S230/T

XXXX	A	B	C	D	Q max
(size of filter)	[mm]	[mm]	[mm]	[mm]	[l/h]
1465	1875	1650	1735	369	2000
1665	1885	1660	1745	406	2500

... according the filter size

#### Component

▪ Column	1 pc.
▪ Active carbon(granulated)	according the filter size
▪ Valve - SIATA 132	1 pc.
- SIATA 230	
▪ control section XP0	1 pc.

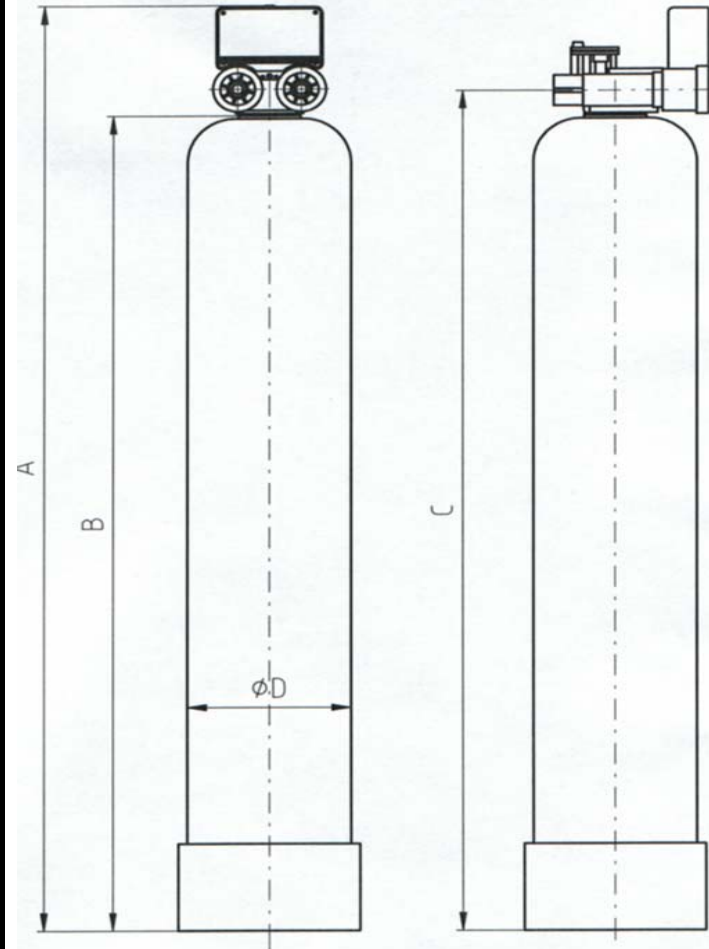
#### Technical parameters

▪ inlet water minimum pressure	0,25 MPa
▪ inlet water maximum pressure	0,6 MPa
▪ inlet water maximum temperature	45°C
▪ el. connection	220V/50Hz/10W (maybe others)



# FIWA IR

## Iron removing



### FIWA IR XXXX/A/S132/T

XXXX	A	B	C	D	Q max
(size of filter)	[mm]	[mm]	[mm]	[mm]	[l/h]
0844	1320	1125	1170	210	500
1054	1575	1385	1430	257	1000
1354	1595	1370	1455	334	1500

### FIWA IR XXXX/A/S230/T

XXXX	A	B	C	D	Q max
(size of filter)	[mm]	[mm]	[mm]	[mm]	[l/h]
1465	1875	1650	1735	369	2000
1665	1885	1660	1745	406	2500

... according the filter size

#### Component

▪ Column	1 pc.
▪ Filtre media - sand - BIRM	according the filter size
▪ Valve - SIATA 132 - SIATA 230	1 pc.
▪ control section XP0	1 pc.

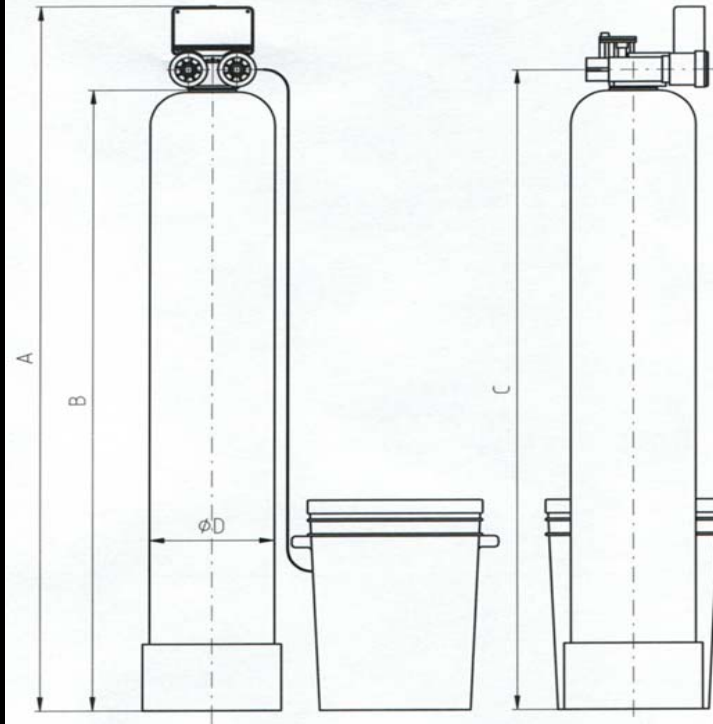
#### Technical parameters

▪ inlet water minimum pressure	0,25 MPa
▪ inlet water maximum pressure	0,6 MPa
▪ inlet water maximum temperature	45°C
▪ el. connection	220V/50Hz/10W (maybe others)

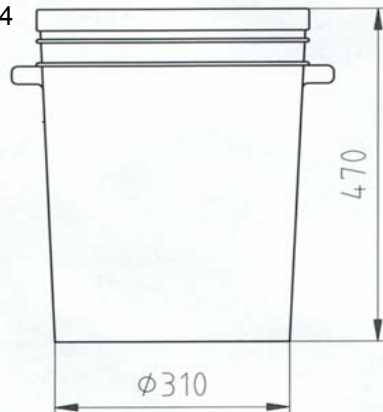


# FIWA mn

## Manganese removing



ZÁSOBNÍČEK  
KMnO<sub>4</sub>



### FIWA mn XXXX/A/S132/T

XXXX	A	B	C	D	Q max
(size of filter)	[mm]	[mm]	[mm]	[mm]	[l/h]
0844	1320	1125	1170	210	350
1054	1575	1385	1430	257	550
1354	1595	1370	1455	334	900

### FIWA mn XXXX/A/S230/T

XXXX	A	B	C	D	Q max
(size of filter)	[mm]	[mm]	[mm]	[mm]	[l/h]
1465	1875	1650	1735	369	1100
1665	1885	1660	1745	406	1400

... according the filter size

### Component

▪ Column	1 pc.
▪ Filtr media - písek -GREEN SAND	according the filter size
▪ Valve - SIATA 132 - SIATA 230	1 pc.
▪ control section XP0	1 pc.
▪ Tank KMnO <sub>4</sub> (35l)	1 pc.

### Technical parameters

▪ inlet water minimum pressure	0,25 MPa
▪ inlet water maximum pressure	0,6 MPa
▪ inlet water maximum temperature	45°C
▪ el. connection	220V/50Hz/10W (maybe others)





Ledeč nad Sázavou

**ZAŘÍZENÍ PRO ÚPRAVU VOD**

Jiřího Wolкера 852

584 01 LEDEČ nad Sázavou

tel. **+420569/720533, +420569/720534**

fax. **+420569/721099**

info: [www.watek.cz](http://www.watek.cz)